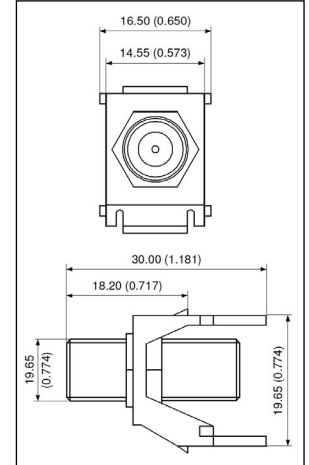


F-TYPE KEYSTONE CONNECTOR MODULES

Signamax Connectivity Systems offers a wide range of keystone connector modules designed to create a customized multimedia solution in any single or double gang faceplate or surface mount box. Applications include optical fiber systems, high-end audio/video systems, satellite systems, CTV, CCTV, DVD, and VCR, for home, classroom, and office environments.

F-type 75-Ohm radio-frequency connectors are used for connecting Series 59, Series 6, and Series 11 coaxial cable to video, CATV, and security cameras. The most widely used connector for residential cable service. F-type connectors do not have center pins. Instead, they use the solid center conductor of the cable as a center pin. For this reason, F-type connectors cannot be used with cables that have a stranded center conductor. Usage of the cable center conductor instead of a pin makes F-type comparatively inexpensive.

F-Type feed-thru modules are compatible with all Signamax keystone panels, faceplates and surface-mount boxes. Connectors are 75 Ohm and rated for 1-or 3-GHz performance.



KEY FEATURES

- 1 and 3 GHz versions available
- 75 Ohm
- Bronze shell and terminal
- 3/8-32 thread
- Compatible with all Signamax keystone panels, faceplates and surface-mount boxes
- Easy connection in the field

PRODUCT INFORMATION

- F-Type Keystone Connector Module, 1 GHz
- Color: White

TRANSMISSION PERFORMANCE

- CMK-F: up to 1 MHz
- CMK-F3: up to 3 MHz

TRANSMISSION MEDIA

- Coaxial, 75 Ohm (RG6/U, RG-58/U)

WIRE GAUGE

- 18-22 AWG (0.64 – 1.07 mm) solid

ELECTRICAL

- Frequency range:
 - CMK-F: 1 GHz DC
 - CMK-F3: 3 GHz DC
- Impedance: 75 Ohm
- Insertion loss: < 0.3 dB at 1 GHz
 - CMK-F: < 0.3 dB
 - CMK-F3: < 0.2 dB
- Return loss: CMK-F3: > 30 dB
- Contact resistance: < 4 mOhm
- Insulation resistance: min 500 MOhm at 100 Vdc
- Inductance: min 500 nH
- Capacitance: min 2 x 1.5 nF
- Operational voltage: 250 Vdc
- Test voltage: 750 Vdc for 1 min
- Peak voltage rating: 500 V
- Dielectric withstanding voltage: 1,500 Vrms
- Feed-through current: max 10 A

CONSTRUCTION

- Housing: high impact thermoplastic, UL94V-0 fire retardant
- Shell: brass, nickel plated
- Seizing pin:
 - CMK-F: bronze alloy, tin plated
 - CMK-F3: 360-degree beryllium bronze, gold plated
- Insulation:
 - CMK-F: low-density polyethylene (LDPE)
 - CMK-F3: nylon
- Nut: iron plated with nickel over copper

MECHANICAL

- Mating cycles: min 500
- Holding force: > 160 g (initial); > 120 g (after insertion)
- Interface dimensions: similar to MIL-C-39012
- Housing shall support 2.2 kg force minimum applied from either direction

FOOTPRINT

- Standard keystone footprint

MOUNTING DIMENSIONS

- D 30.0 mm - H 19.7 mm - W 16.5 mm
- D 1.18 in - H 0.77 in - W 0.65 in

ENVIRONMENTAL CONDITIONS

- Storage: -40°C – +70°C (-40°F – +158°F)
- Operation: -10°C – +60°C (+14°F – +140°F)
- RH (operation): max non-condensing 93%
- Vibration, shock, and temperature cycling in accordance with MIL-STD-1344

COMPLIANCE

- ANSI/SCTE 02, IEC 60169-24, UL 94V-0

APPLICATIONS

- Over-the-air terrestrial television, cable television, satellite television, cable modems

WARRANTY

- 5-year limited component warranty

PROVIDED BY OUR VALUED PARTNER SIGNAMAX • SIGNAMAX.COM • CONNECTIVITY SYSTEMS

SIGNAMAX™