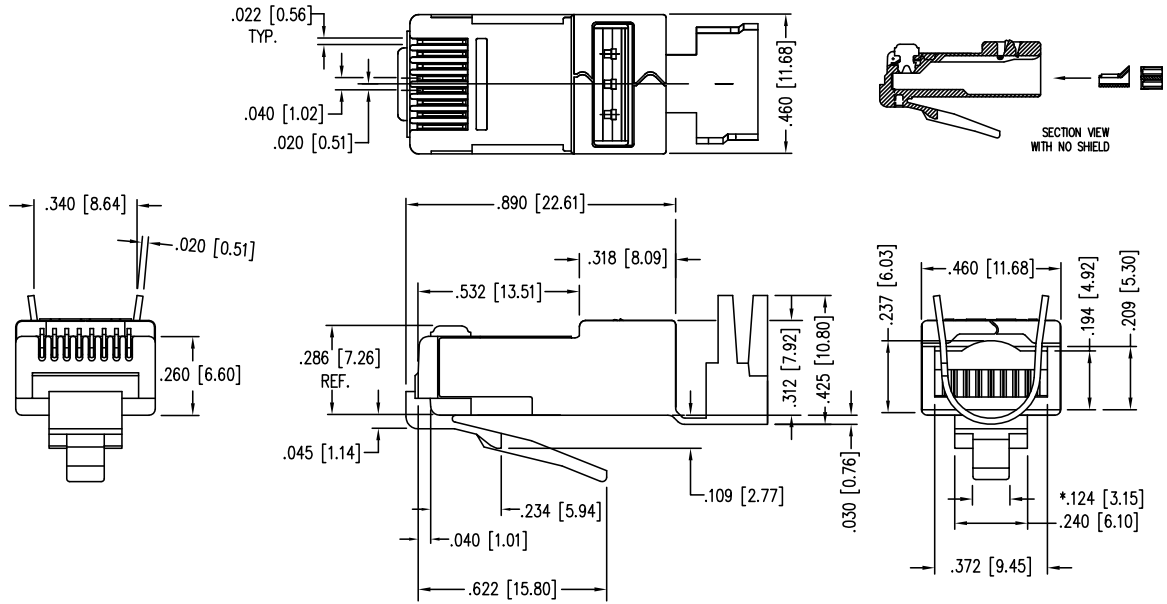


SEN-111S08080095HA4 CONNECTOR



"PATENTED"

CABLE SPECIFICATIONS

- DESCRIPTION**
- EIGHT CONDUCTOR MODULAR PLUG
 - FOR HIGH SPEED APPLICATION
 - FOR CONDUCTORS WITH AN O.D. RANGE OF .037 / .042
 - USE FOR STRANDED CONDUCTORS
 - FOR CAT 6 AND 6A PATCH CORD APPLICATIONS
 - SHIELDED VERSION MODULAR PLUG
 - DESIGNED TO BE USED WITH SENTINEL COMPATIBLE LOAD BARS

- PERFORMANCE**
- MEETS OR EXCEEDS CATEGORY 6 ANSI/EIA 568-C.2
 - PERFORMANCE TUNED TO CABLES MEETING CATEGORY 6 SPECIFICATIONS.

- CONTACT MATERIAL** • PHOSPHOR BRONZE - .012 THK

- CONTACT PLATING**
- 50 MICRO-INCH; OTHER PLATING OPTIONS AVAILABLE
 - SELECTIVE 24 CARAT HARD GOLD PLATE IN CONTACT AREA
 - OVER 100 MICRO-INCH MINIMUM NICKEL PLATE
 - PER CURRENT SELECTIVE GOLD PLATING REQUIREMENT.

- PLUG MATERIAL** POLYCARBONATE

- SHIELD MATERIAL** .012 THK (.020 WHERE NOTED) CDA-260 1/4 HARD BRASS

- SHIELD PLATING** 100% TIN, 100-150 MICRO-INCH TIN PLATED

- PLUG TOLERANCES & DIMENSIONS** COMPLIES WITH ANSI/TIA-1096-A REQUIREMENTS

- FLAME AUTO EXTINGUISH** 94-VO - FILE #E188111

- OPERATION TEMPERATURE** -40°C TO +85°C

- INSERTION/ EXTRACTION LIFE** 1000 CYCLES

- CONTACT RESISTANCE** 10 MILL OHMS MAX.

- CURRENT/VOLTAGE**
- 30 VAC/42 VDC AT 1.5 AMPS
 - FORMER COMPLIANCE, FCC PART 68.500
- (RoHS COMPLIANT)