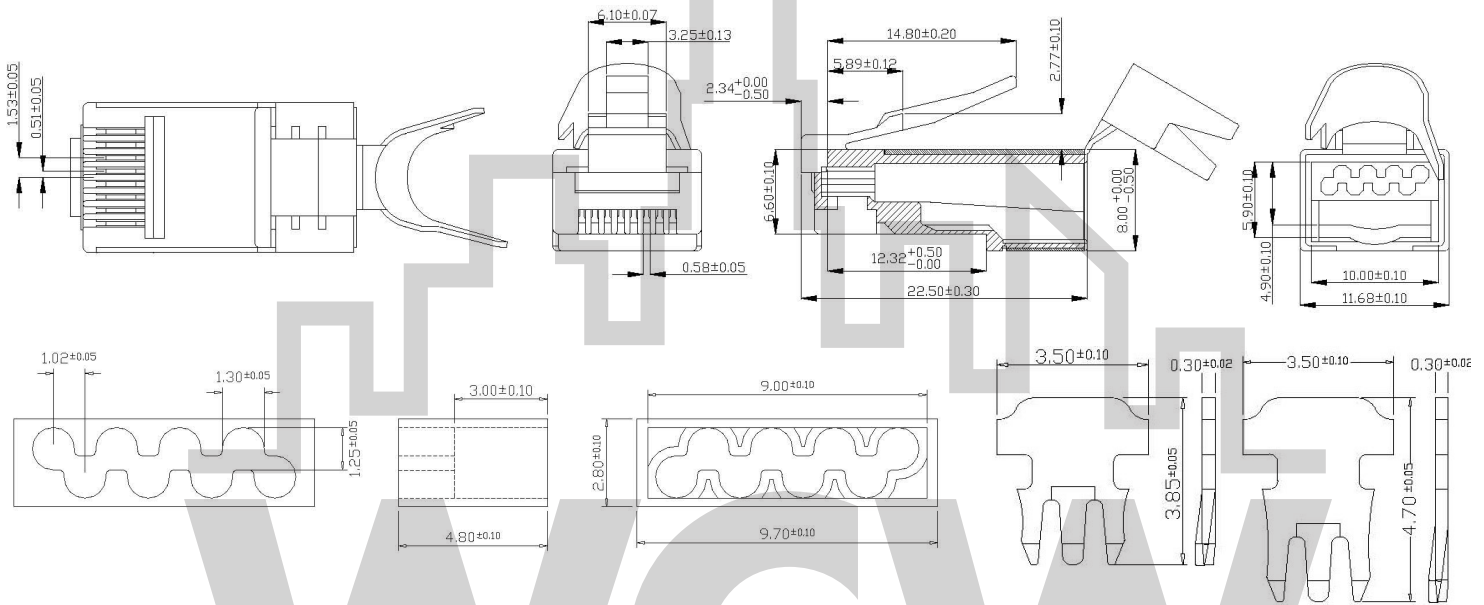
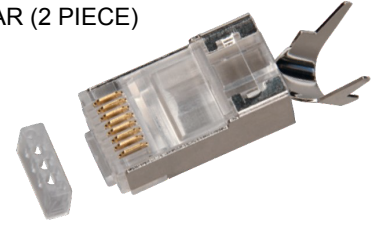


PART NUMBER PTM-106190

EIGHT CONDUCTOR SHIELDED EXTERNAL GROUND MODULAR PLUG WITH LOADING BAR

RJ45 CAT6A 10 Gig

- EIGHT CONDUCTOR SHIELDED EXTERNAL GROUND MODULAR PLUG WITH LOADING BAR (2 PIECE)
- LINER BAR PART NO.: 1040
- INDIVIDUAL CONDUCTOR O.D. RANGE: 0.042" - 0.053" (1.07mm-1.35mm)
- WIRE GAUGE RANGE (AWG) 24—22
- USES 0.30 mm (.012") CONTACT
- 3 PRONG CONTACT FOR SOLID CONDUCTORS ONLY
- WORKS FOR BOTH CAT6E, CAT6A, CAT7
- MAX CABLE JACKET OD IS 0.335" (8.5mm)
- & UL COMPLIANT



SPECIFICATIONS:

CONTACT MATERIAL:	PHOSPHOR BRONZE
CONTACT PLATING:	50µ" (≥1.27µm) AU
PLUG MATERIAL:	POLYCARBONATE
LINER BAR MATERIAL:	POLYCARBONATE
SHIELD MATERIAL:	BRASS WITH NICKEL PLATING
PLUG PERFORMANCE:	COMPLIES WITH ANSI-TIA-1096-B
PLUG TOLERANCES/DIMS:	COMPLIES WITH F.C.C. REQUIREMENTS
OPERATION TEMPERATURE:	-40° C TO +70° C
FLAME AUTO EXTINGUISH	UL 94V-2
RoHS & UL COMPLIANT	
VOLTAGE RATING (MAX VAC):	250V AC MAX, @ 2A
CURRENT RATING (MAX I):	1000V/DC/MIN <0.5A
CONTACT RESISTANCE (MAX MILLIOHMS):	<20M OHM

STANDARD PACKAGING:

TRAYS OF 100 PCS., LINER BAR BAGGED.