

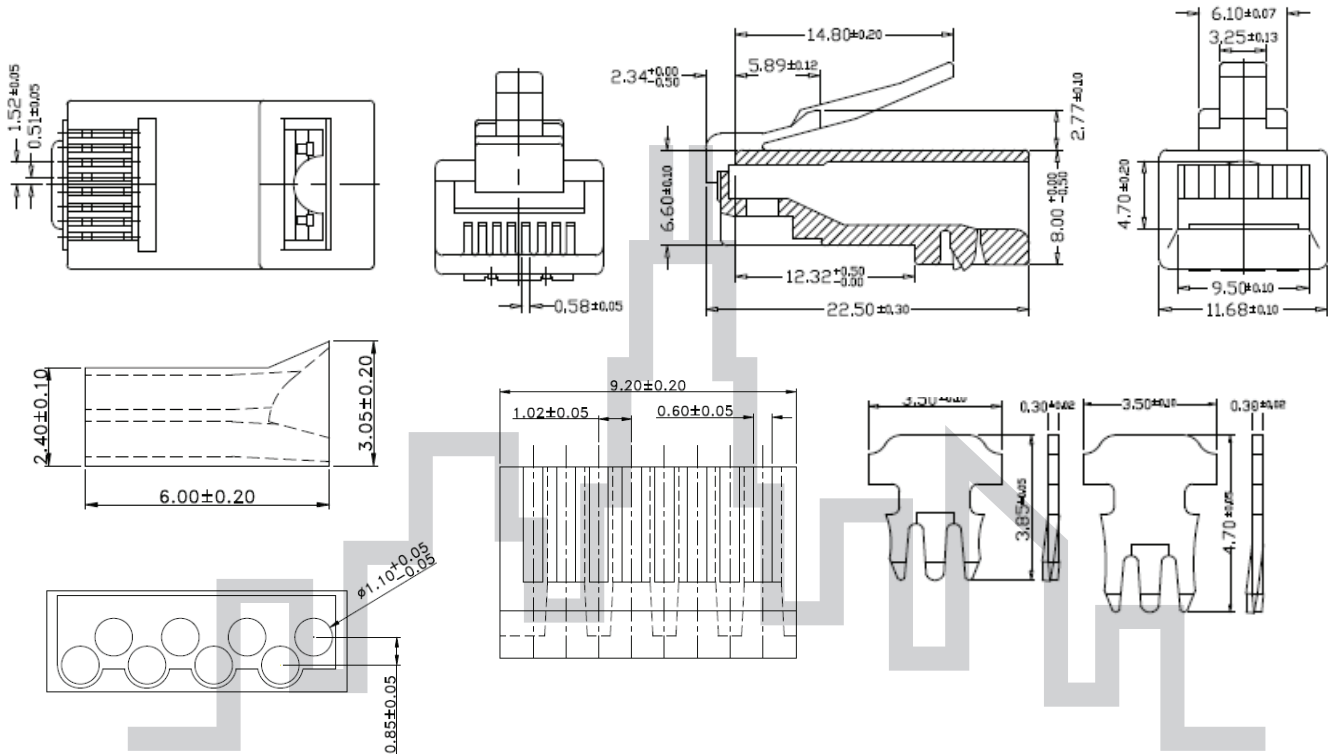
# PART NUMBER PTM-106187

CONNECTOR



## DESCRIPTION

- EIGHT CONDUCTOR MODULAR PLUG WITH LOADING BAR (2 PIECE)
- LINER BAR PART NO.: 1041
- FOR CONDUCTORS WITH AN O.D. RANGE OF .040" thru 0.044" (1.02/1.12mm)
- USES 0.30 mm (.012") CONTACT
- 3 PRONG CONTACT FOR SOLID CONDUCTORS ONLY
- MAX CABLE JACKET OD IS 0.280" / 7.1mm
- RoHS & UL COMPLIANT



## SPECIFICATIONS

<b>CONTACT MATERIAL</b>	PHOSPHOR BRONZE
<b>CONTACT PLATING</b>	50μ" (1.27μm) ) AU
<b>PLUG MATERIAL</b>	POLYCARBONATE
<b>LINER BAR MATERIAL</b>	POLYCARBONATE
<b>PLUG PERFORMANCE</b>	COMPLIES WITH ANSI-TIA-1096-B
<b>PLUG TOLERANCES/DIMS</b>	COMPLIES WITH F.C.C. REQUIREMENTS
<b>OPERATION TEMPERATURE</b>	-40 °C TO +70 °C
<b>FLAME AUTO EXTINGUISH</b>	UL 94V-2
<b>RoHS &amp; UL COMPLIANT</b>	