

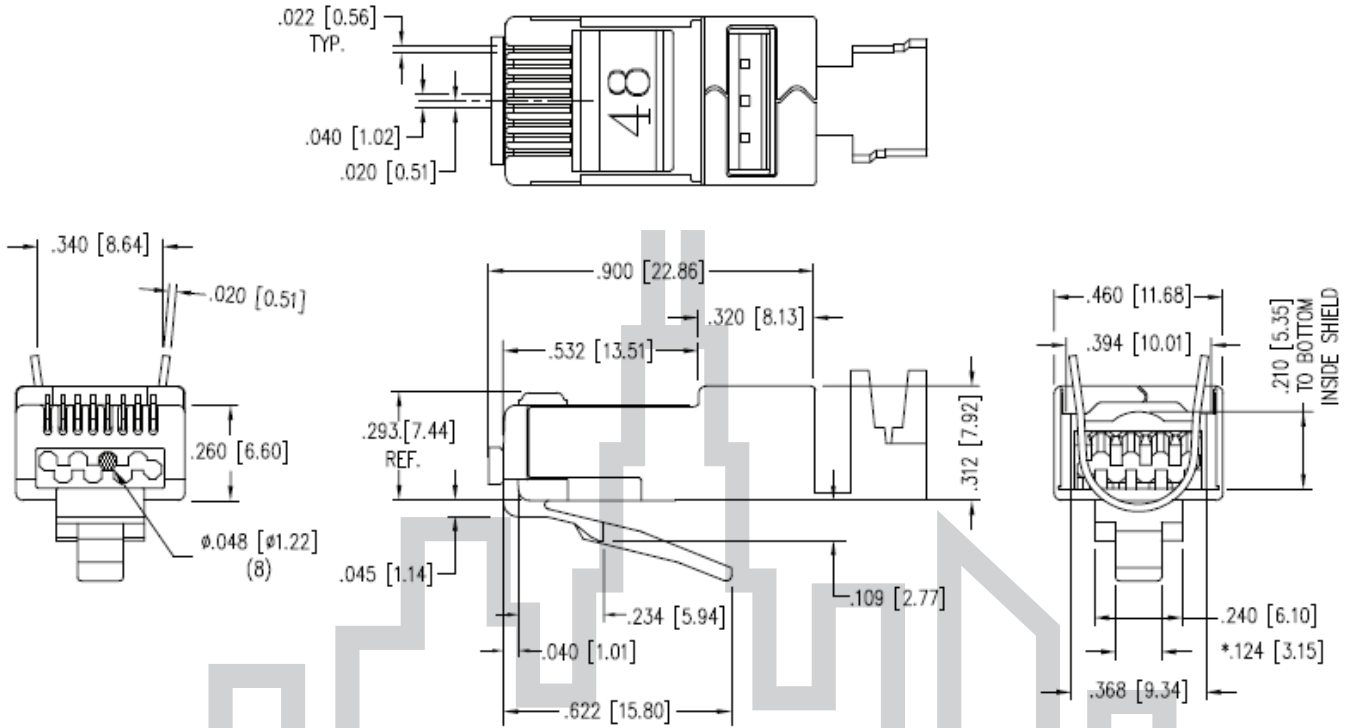
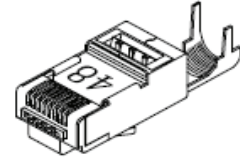
PART NUMBER PTM-100027C-EA

CONNECTOR



DESCRIPTION

- EIGHT CONDUCTOR MODULAR PLUG
- FOR CONDUCTORS WITH AN OD RANGE OF 0.043" - 0.048" (1.09-1.22mm)
- MAX CABLE OD: 0.305" (7.74mm)
- USES .012 (0.30mm) CONTACT
- FOR SOLID OR STRANDED WIRE APPLICATIONS
- RoHS2 & UL COMPLIANT



SPECIFICATIONS

CONTACT MATERIAL	PHOSPHOR BRONZE .012 THK
CONTACT PLATING	50 MICRO INCH SELECTIVE 24 CARAT HARD GOLD IN CONTACT AREA OVER 100 MICRO INCH MINIMUM NICKEL PLATE.
PLUG MATERIAL	POLYCARBONATE
SHIELD MATERIAL	CDA-260 1/4 HARD BRASS, .012 THK EXCEPT WHERE NOTED .020" THICK
SHIELD PLATING	100% TIN, 100-150 MICRO-INCH TIN PLATED
PLUG TOLERANCES/DIMS	COMPLIES WITH ANSI/TIA-1096-A REQUIREMENTS
OPERATION TEMPERATURE	-40° TO +85° C
FLAME AUTO EXTINGUISH	94-VO
INSERTION/EXTRACTION	1000 CYCLES
CONTACT RESISTANCE	10 MILLIOHMS MAX.
CURRENT/VOLTAGE	30 VAC/42 VDC AT 1.5 AMPS