

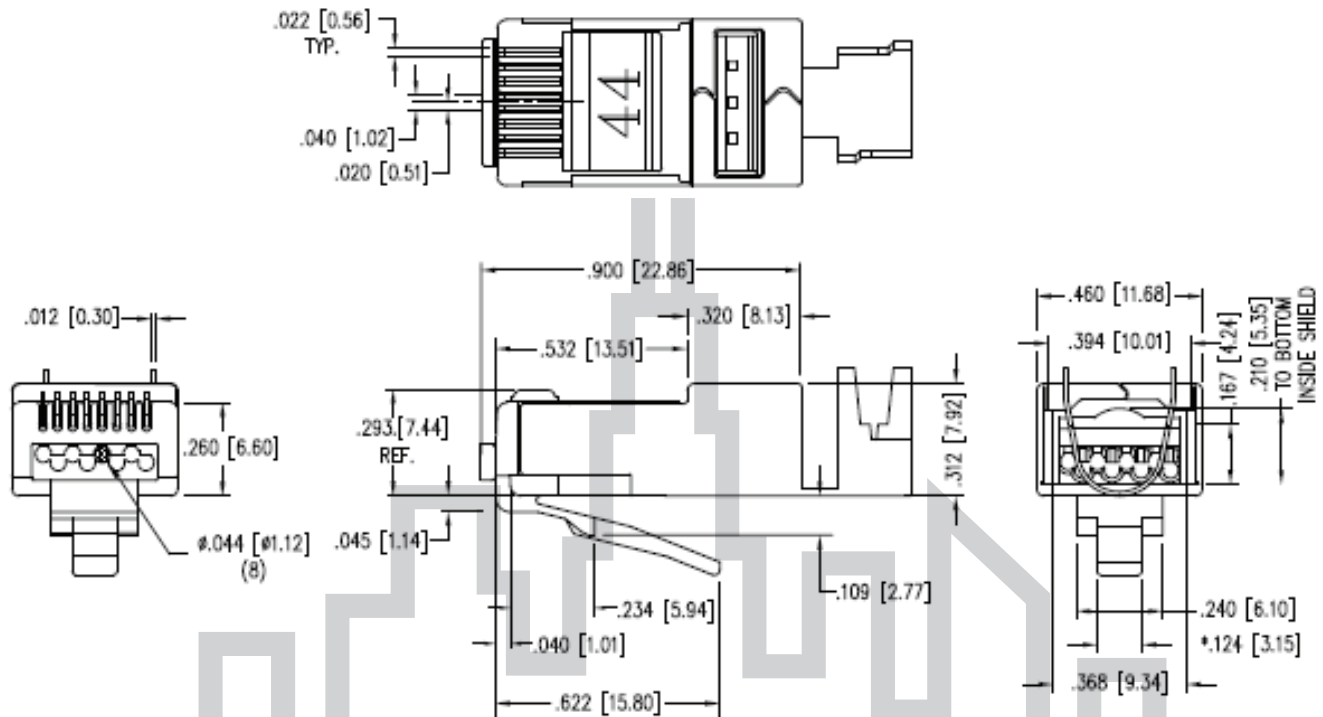
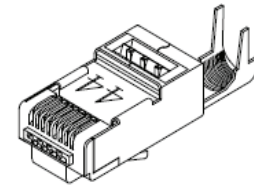
PART NUMBER PTM-100025C

CONNECTOR



DESCRIPTION

- EIGHT CONDUCTOR MODULAR PLUG
- FOR CONDUCTORS WITH AN OD RANGE OF 0.039" - 0.044" (0.99-1.12mm)
- MAX CABLE OD: 0.305" (7.74mm)
- USES .012 (0.30mm) CONTACT
- FOR SOLID OR STRANDED WIRE APPLICATIONS
- RoHS2 & UL COMPLIANT



SPECIFICATIONS

| | |
|------------------------------|--|
| CONTACT MATERIAL | PHOSPHOR BRONZE .012 THK |
| CONTACT PLATING | 50 MICRO INCH SELECTIVE 24 CARAT HARD GOLD IN CONTACT AREA OVER 100 MICRO INCH MINIMUM NICKEL PLATE. |
| PLUG MATERIAL | POLYCARBONATE |
| SHIELD MATERIAL | .012 THK CDA -260 1/4 HARD BRASS |
| SHIELD PLATING | 100% TIN, 100-150 MICRO -INCH TIN PLATED |
| PLUG TOLERANCES/DIMS | COMPLIES WITH ANSI/TIA-1096-A REQUIREMENTS |
| OPERATION TEMPERATURE | -40° TO +85°C |
| FLAME AUTO EXTINGUISH | 94-VO |
| INSERTION/EXTRACTION | 1000 CYCLES |
| CONTACT RESISTANCE | 10 MILLIOHMS MAX. |
| CURRENT/VOLTAGE | 30 VAC/42 VDC AT 1.5 AMPS |