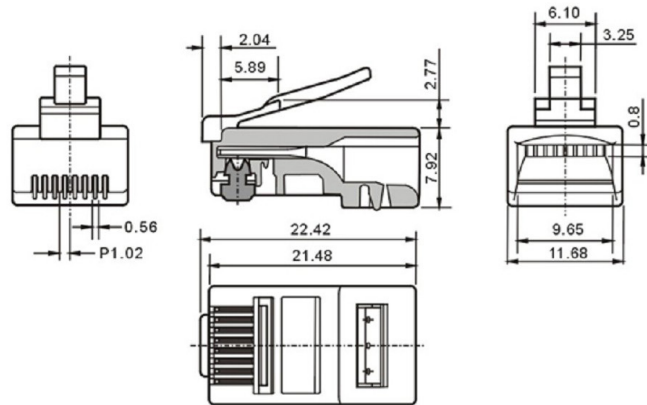


PART NUMBER MOD-88RL

CONNECTOR TYPE: RJ45

PRODUCT INFORMATION

DESCRIPTION MODULAR, PLUG, IDC, RJ45, 8P8C



- CONNECTOR TYPE: RJ45
PLUG INNER OPENING SIZE: 1.02MM
PLUG IS FOR USE WITH ROUND WIRE SIZE BETWEEN 24AWG TO 28AWG
- GENDER: PLUG
- NO. OF CONTACTS: 8
- NO. OF POSITIONS: 8
- NO. OF PORTS: 1
- LAN CATEGORY: CAT5
- CONTACT TERMINATION: CRIMP
- CONTACT PLATING: GOLD PLATED
- CONTACT MATERIAL: PHOSPHOR BRONZE
- CONTACT RESISTANCE: 20MOHM
- CURRENT RATING: 1.5A
- EXTERNAL LENGTH / HEIGHT: 22.42MM/7.92MM
- EXTERNAL WIDTH: 11.68MM
- FLAMMABILITY RATING: UL94V-0
- INSULATION RESISTANCE: 500OHM
- MATERIAL: NATURAL POLYCARBONATE
- OPERATING TEMPERATURE MAX: 60°C
- OPERATING TEMPERATURE MIN: -40°C
- VOLTAGE RATING V DC: 36V