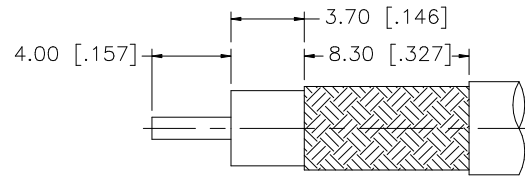
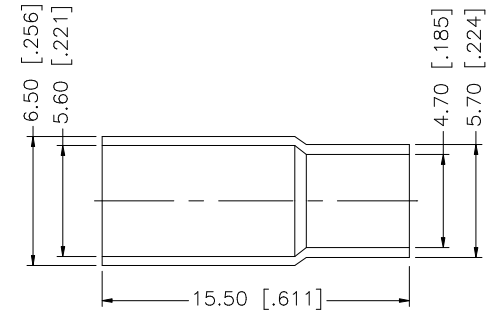
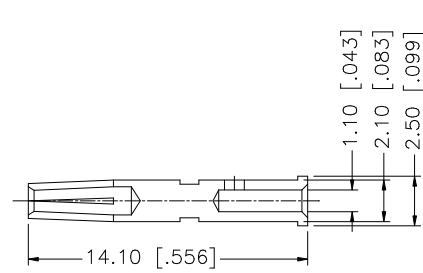
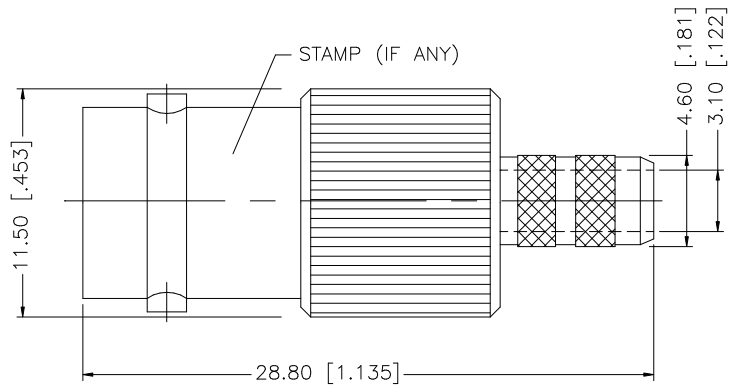


AMP-112152

RG58 BNC-F CRIMP JACK CMP



RECOMMENDED
CABLE STRIPPING DIM'S



CRIMP NOTES:

1. CRIMPED FERRULE
HEX CRIMP SIZE .213"
2. CRIMPED CONTACT PIN
HEX CRIMP SIZE .068"